

AD600.5

600 WATT 5-CHANNEL AMPLIFIER



KEY FEATURES

600 Watt Amplifier

With 600W of pure power, this 5-channel amplifier packs a serious punch even in the loudest of environments.

Digital (Class D) Technology

Digital (Class D) amplifiers produce less heat, lowering power consumption and reducing strain on batteries.

Gain Controls

This device comes with gain controls to match the output of the stereo to the amplifier.

Shockwave Technology

Shockwave technology reduces unwanted EMI (Electromagnetic Interference) to prevent unwanted noise in your audio system.

Bridge Mode

Bridge Mode allows the power of each channel to be combined for maximum output; this mode is ideal for use with a single subwoofer.

Multi-Environment Protection

This device is fully waterproof (rated IP65) and UV/salt/fog resistant to ensure reliable performance even in the toughest conditions.

2 Year Warranty

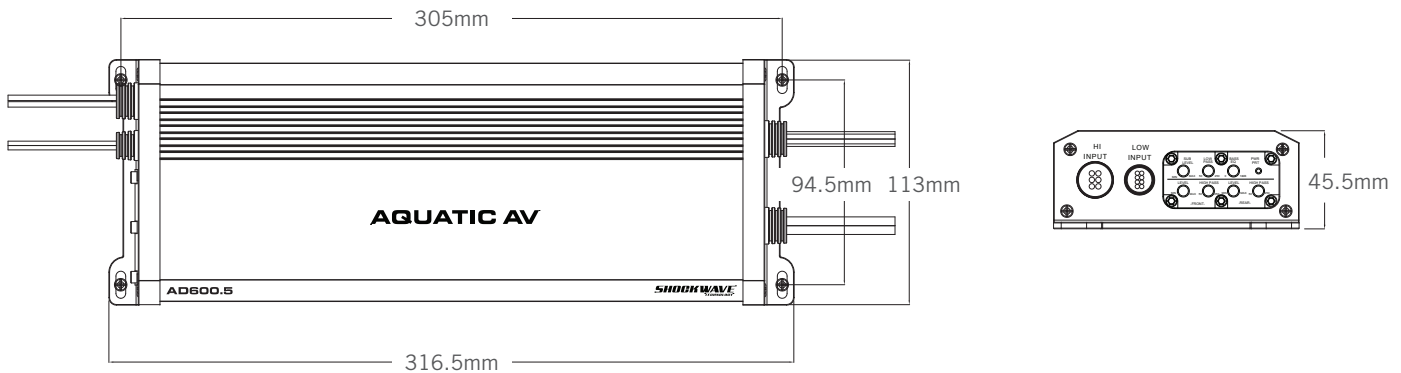
This product comes with a two year warranty that can be extended with online product registration or by downloading the Aquatic AV App.

Design and specification subject to change without notice.E&OE

SPECIFICATIONS

Type:	Class-D Digital Amplifier
Output Modes:	Mono, Stereo, Bridge
Waterproof:	Yes - IP65
Conformal Coated PCB:	Yes
Heavy Duty Waterproof Connectors:	Yes
Input Channels:	5x RCA
Speaker Level Input:	5 channels
Output Channels:	5/4/3
Input Impedance:	22k (RCA), 470 Ohms (speaker)
Output Impedance (per channel):	2 Ohms / 4 Ohms
Power Output (max):	600W
Power Output (max) @ 4 Ohms, THD \leq 1%:	4x 50W + 1x 200W
Power Output (max) @ 2 Ohms, THD \leq 1%:	4x 75W + 1x 300W
Power Output - Bridged @ 4 Ohms, THD \leq 1%:	2x 150W
S/N (A-weighted, 1W @ 4 Ohms):	\geq 70dB
Frequency Response:	10-20kHz (1CH to 4CH), 10-250Hz (5CH)
Channel Separation:	\geq 48dB
Input Sensitivity (Low Level):	200mV to 4V
Input Sensitivity (High Level):	600mV to 10V
Bridge Mode:	Yes (CH1 - CH4)
Bass Boost Adjustment:	Variable 0 to +18dB (Sub CH)
Bass Boost Frequency:	50Hz
High Pass Electronic Crossover (12dB/Oct.):	Variable 50 - 250Hz
Low Pass Electronic Crossover (12dB/Oct.):	Variable 50 - 250Hz
Current Draw:	<2mA standby
Gain Control Type:	Variable Gain Control
Ground Loop Isolation Input Circuit:	Yes
Allowable Battery Voltage	10.8V - 15.6V
Power Fuse:	Yes in Power Cable
Additional Features:	Nickel plated connectors
	LED Indicator
	Remote Turn-On
	Turn-On/Off Muting Circuit (Soft Mute)

DIMENSIONS



Design and specification subject to change without notice.E&OE